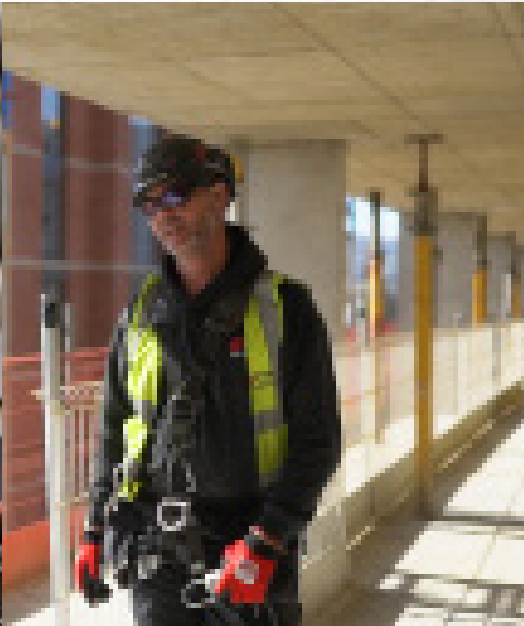


WHEN IT
COMES TO
SAFETY, WE'VE
EVERYTHING
COVERED

 SAFETY CONSTRUCTED.





SAFETY CONSTRUCTED.

The Leaders in Fall Arrest Safety

Regarded amongst Ireland's construction industry, ProNet has become one of the UK's leading safety specialist contractors. We provide a wide range of fall arrest safety for construction all over the UK and Ireland.

Where safety matters most

We supply and install a range of safety net solutions which are aimed at protecting onsite personnel who work at heights and those who are at risk from falling equipment and debris.



OUR SERVICES & SOLUTIONS

Our Services and Solutions - We have an extensive range of safety solutions... With a thorough understanding of European Standards, we aim to provide a contemporary, innovative and personal service that will be both practical and cost effective.

We offer a nationwide service to all sections of the construction industry, therefore guaranteeing a fast and efficient output.



CONTENTS

□ PERSONAL SYSTEMS	04
- Roof Angel	05
- Safepro2	06
- Safetraxx	07
- Weight Angel	08
□ COLLECTIVE SYSTEMS	09
- Katt Ladders	10
- Demarc Angel	11
- Guard Angel	12
- Sky Angel	13
- Walk Angel	14
□ SAFETY NETTING	15
□ ROPE ACCESS	16
□ PLATFORMS / WALKOVERS	17
□ INSPECTION / RECERTIFICATION	18
□ GEOTEK	19



ROOF ANGEL

The Roof Angel Horizontal Lifeline System provides users with a total fall protection solution through continuous attachment whilst negotiating intermediate points along with the system – users can detach and re-attach at any point.

Fall Arrest and Fall Restraint

The Roof Angel Horizontal Lifeline is an anchorage system designed to protect one or more people working at height. The lifeline can be used as a Fall Arrest system and also a Fall Restraint system, further minimising risk to the end users.

Permanently attached

Roof Angel is permanently attached to the structure, can be replaced if deployed without removal from the roof and is corrosion-free, offering value-for-money longevity

Fully tested and certified

Roof Angel complies with all current European standards and requirements. It is independently tested by SATRA and is certified to EN795:2012 Type A & C and CEN/TS16415:2013. System critical components are serial numbered.

Applications

With the Roof Angel Horizontal Lifeline, we have designed a system that fixes permanently to the roof structure, allowing for all types of work at height to be carried out in complete safety.

Roof Angel is ideal for use in every sector with height safety objectives.

Its advanced technology combined with a focus on delivering longevity of use makes Roof Angel the most cost-effective solution for all your fall protection needs.

Complete 360 degree freedom

The Roof Angel Horizontal Lifeline enables the end user to connect to the line to move freely without needing to disconnect from it to accomplish any movement. They are able to pass the intermediate cable guides and corners automatically.

Cable-based anchorage system

8mm system, Incorporating force absorption technology to minimise the loading passed to the structure in the event of a fall.

Computer calculation package

Our advanced computer calculation package guarantees that all installations are within the safe working limits of Roof Angel. This bespoke calculation software ensures the most effective tailored installation options.



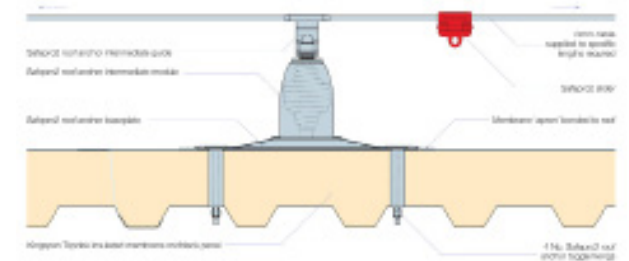


SAFE PRO 2

Safepro2 is the latest offering to the Lifeline market. Developed their engineered fall protection range to include an innovative horizontal lifeline, it offers protection of personnel and guaranteeing roof integrity at a competitive price.

MADE TO SUIT YOU

Can be used for either work restraint or fall arrest and can be installed on Kingspan standing seam, composite and built up roofing systems and flat roofing and membrane roofing systems.



MULTI-DIRECTIONAL

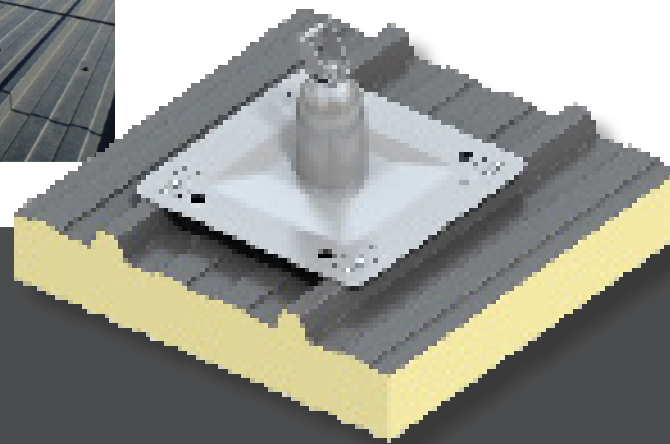
Can activate and absorb energy in whichever orientation the load is applied, which provides total freedom and flexibility in system design.

FLAT ROOFING

The system has been designed to be easy to weather proof ensuring the integrity of the building envelope and works perfectly in conjunction with Green roofing systems.

ADVANCED FORCE MINIMIZATION

TECHNOLOGY, Typically limiting forces transmitted to the panel in a fall arrest event to less than 5.3kN. This level of force is significantly lower than those generated by other fall protection systems in the market.



FULLY COMPLIANT SOLUTION:

- System Type:** Anchor
- Application:** Personal Fall Protection System
- Fixing Detail:** Top-Skin (no insulation penetration)
- Metal Type:** High-grade stainless steel and aluminium
- Installation:** During or after construction
- Testing:** Fully compliant with BS EN 795:C 1997
- Load:** Less than 6kN
- Guarantee:** 25 year product guarantee

LIFELINES THAT YOU CAN TRUST



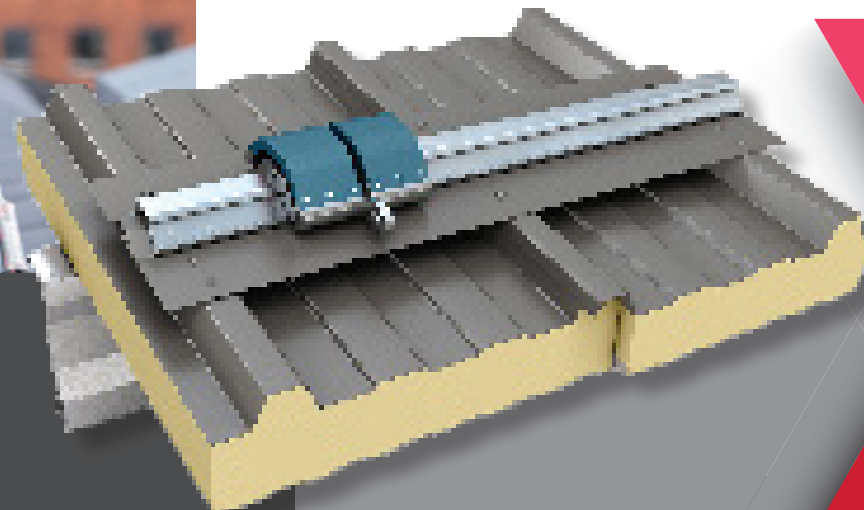


SAFETRAXX

Safetraxx is a robust personal fall protection system, comprising a high-grade precision-extruded aluminium rail. This flexible rail-based anchor system dissipates forces in a fall arrest event to minimise potential damage, and provide protection, across the whole roof area.

THE HIGHEST QUALITY

- High-grade steel and aluminium components, providing superior levels of corrosion resistance, durability and service life.
- Systems are fixed to the top skin only, with no penetration of the insulation, eliminating thermal bridging.
- Highly-evolved force minimisation.
- Can be installed during or after construction.



FULLY COMPLIANT SOLUTION:

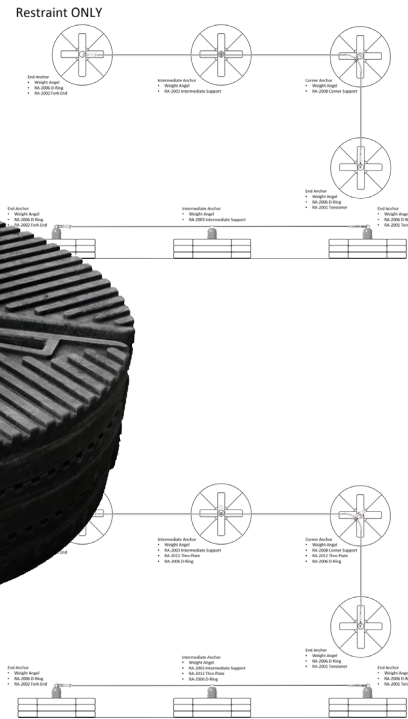
- System Type:** Rail
- Application:** Personal Fall Protection System
- Fixing Detail:** Top-Skin (no insulation penetration)
- Metal Type:** Precision extruded aluminium rail
- Installation:** During or after construction
- Testing:** Fully compliant with AS NZS 1891.2 & 1891.4, BS EN 795: D and OHS 1926
- Guarantee:** 25 year product guarantee



WEIGHT ANGEL

Weight Angel and Roof Angel can be used in conjunction with each other to create a non-penetrative horizontal lifeline.

To be classified as restraint, the position of the anchorage and cable systems, used with the correct length of the lanyard must ensure it is not possible to approach within 500mm of a roof edge or other opening where a fall risk is present.



- This system is a restraint access line, but with each Weight Angel installed with a Thro Plate and D-Ring then each Weight Angel can be used as an individual fall arrest anchorage point.
- Used with the RA-2012 Thro Plate and RA-2006 D Ring each anchor can be used as a fall arrest anchor when connected to the D Ring and not the cable. This allows the user to access in restraint the area where work is to be carried out and only then convert to fall arrest.
- It is intended for use on flat roofs or where it is preferable that penetration of the roof surface be avoided.

BENEFITS

- Does not require the roof surface to be penetrated.
- Provides a continuous anchorage for users to access the work area
- The Weight Angel can be used on any of the following roof surfaces in WET or DRY conditions:
 - Asphalt
 - Concrete
 - Mineral Felt



FULLY COMPLIANT SOLUTION:

Components

- Weight Angel
- Roof Angel

Specifications

- Maximum Span 10m
- Maximum Users 2

Conformity

- CE Approval EN 795:2012 Type E (Weight Angel)
- EN 795:2012 Type C (Roof Angel)
- BS 7883
- BS 8437:2005

Materials:

- Stainless Steel / Rubber / Galvanised Steel



**A
PRODUCT TO
DEPEND ON**



COLLECTIVE SYSTEMS

WHEN IT
COMES TO
SAFETY, WE'VE
EVERYTHING
COVERED

KATT LADDER

KATT® is a range of precision-designed modular, fixed ladders, which provide safe vertical or incline access to the roof or between varying roof levels.

KATT® can be used with a cage or fall arrest systems in line with HSE's hierarchy of control for working at height. It complies with the relevant BS EN ISO standards for ladders. Fabricated from structural aluminium, KATT® ladders are not only lightweight, but corrosion resistant, so can be easily modified on site without compromising the lifespan of the system.

MODULAR DESIGN:

KATT® ladders are configured to your exact specification, however only approximate dimensions are required because the system can be modified safely on site

ALUMINIUM CONSTRUCTION:

Lightweight, durable with natural resistance to corrosion, so structural integrity is not compromised by on-site cutting or drilling

VERSATILE SOLUTION:

Can be used for either vertical or incline access, and are available with a fall arrest cage or fixings for a fall arrest system

SAFE AND SECURE:

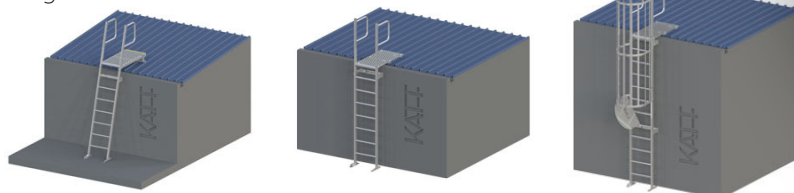
fully compliant with the international standard for ladder heights BS EN ISO 14122:2016:4

EASY INSTALLATION:

Each ladder is provided with all the necessary fixings. The lightweight aluminium components are delivered as a flat pack kit, which can be simply manhandled to the required location.

DESIGNED FOR YOU:

KATT® ladders feature wide, non-slip, ergonomic rungs for safety



KATT® RL20 series

KATT® RL20 angled mini access ladders are designed to provide safe access between different roof levels or plant platforms of 2m or less. KATT® RL20 ladders feature an angle of up to 75 degrees for enhanced safety and are recommended for areas where regular access is required.

KATT® RL30 series

KATT® RL30 vertical access ladders are designed for use in small spaces where access is required to different roof levels or plant platforms of 2m or less. The fixture means they take up less space than a ladder, which makes them more suitable for areas where a compact solution is required.

KATT® RL40 series

KATT® RL40 series caged access ladders feature a fall arrest cage which is designed to provide basic fall protection. A fall arrest cage is required on all ladders over 2m high in compliance with BS4211:2005.





DEMARC ANGEL

Demarc Angel provides a demarcation system for rooftops.

Applications may be for the purpose of preventing access to hazards during regular rooftop maintenance or to provide safe access across the roof. Wherever roof access is required designers are tasked with creating a safe route which should be identified by a demarcation system.

Under Working at Height Regulations a distance of 2m from a leading edge or fall risk must be protected. The system is compact making it portable and easy to assemble. The design with a recycled PVC base weighing 23kg prevents the system from falling during severe weather conditions. The system incorporates a high visibility, two colour chain which links between the support posts and connects easily to the clamping system.

- **DEMARICATION**
- High visibility demarcation system
- Cost-effective
- Rapid Installation
- Robust materials
- Long Spans
- Lightweight Solution
- Maintenance Free
- Free Standing or Fixed Base options

By utilising components used in our Guard Angel, Weight Angel and Roof Angel products Demarc Angel is a system manufactured from tried and tested materials. Robust and easy to install Demarc Angel is a simple and lightweight solution for height safety requirements. When a quick demarcation is needed, Demarc Angel system is the perfect solution.

As a high visibility, maintenance free demarcation system it is ideal for providing demarcation around plant, equipment and fragile materials or as an economical solution to guardrail, providing it is placed at least 2m from the roof edge.





GUARD ANGEL



ProNet Safety Services supply and install a wide range of Guardrail systems to meet the required health and safety standards of having to provide a safe environment to protect personnel while they are working at a height.

Our Guardrail systems offer a more permanent solution for edge protection and can be designed to fit your exact requirements – a bespoke system.

BENEFITS

- Cost effective and appropriate means of protection – the most suitable solution for edge protection
- Adjustable, versatile and available in a wide range of finishes
- Broad range of systems, components and accessories to suit most construction projects and buildings
- Provides extra safety when used in conjunction with other fall arrest systems

• GUARDRAIL FINISHES AND FIXTURES

All our Guard Angel systems are available in a range of finishes:

- Extra Smooth Galvanised Steel
- Aluminium
- 304 or 316 grade Stainless Steel
- Painted to any RAL colour over galvanised steel
- The following also applies to all our Guard Angel systems:
 - Fitted using A2 stainless steel fixings
 - Telescopic adjustable legs to compensate for any rise and fall on the roof surface
 - Counterbalance weights for our Guard Angel systems are made from re-cycled rubber



A PRODUCT TO RELY ON

SUITABLE FOR:

- Membrane Roofing
- Concrete Roofing
- Bitumen Roofing
- Trapezoidal Sheeting
- Standing Seam Sheeting
- Wall Mounted



SKY ANGEL

Safetraxx is a robust personal fall protection system, comprising a high-grade precision-extruded aluminium rail. This flexible rail-based anchor system dissipates forces in a fall arrest event to minimise potential damage, and provide protection, across the whole roof area.

ROOF LIGHT SAFETY

Skylights and fragile roofs can pose an issue for workers required to complete their duties at height. Over time both are prone to weathering and cracking, making them a real safety hazard when carrying out roof maintenance.

- Sky Angel is our innovative solution, an easy to use piece of equipment granting safe access across fragile roof systems. With Sky Angel in place, working at height becomes all the more easier.
- Sky Angel is the latest in a long line of products from Fall Angel – the working at height specialists. It's robust, easy to use and kinder to the environment, making it the first choice for reducing the risk of serious injury and death from falls.



Unlike many other brands, which often use heavy steel, Sky Angel units consist of lightweight PVCu frames. This makes them easy to install, low impact, cost-effective and fully recyclable. Furthermore it's a fully modular system, meaning any roof can safely be navigated.

If used as roof fall covers, the frames feature brightly coloured exterior strips, so that workers have a demarcation route to follow.

However, if being used purely to cover skylights, the panels have been specifically created to be unobtrusive when installed; so they let as much natural light in as possible.

For all your fragile roof health and safety issues, Sky Angel's flexible, reliable design means that staying safe is easier than ever.



WALK ANGEL

Walk Angel walkways allow you to traverse roofs safely, maintaining the integrity of the roof. Designed to be as user friendly as possible, Walk Angel is easy to install and use.

Each segment is constructed from sturdy PVC and features a flush fit joining system, as well as a non-slip surface: this ensures minimal trip risk in all weather conditions.

A GREENER CHOICE

As well as being robustly constructed, Walk Angel is designed with the environment in mind.

Every system is made in the UK and the boards are made from 100% recycled plastic: not only does this make it easier to transport and assemble, but it minimises the product's CO₂ emissions, ensuring it is that little bit kinder to the environment.

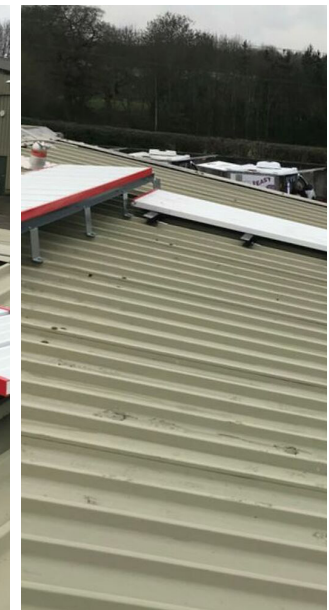
When your Walk Angel nears the end of its working life, it can be easily recycled, giving it a new lease of life later on.

BENEFITS

- Lightweight
- Slip resistant
- Fire resistant
- Fully tested and certified
- Compliant with Building Regulations
- 100% recycled
- Modular design
- Compatible with Guard Angel
- Suitable for the majority of roof types

APPLICATIONS

- Trapezoidal Roofing
- Fixed using Irius Tech Screws
- Standard to 5 degrees
- Levelled for inclined areas
- Steps available
- Standing Seam Roofing
- Fixed using S-5! Clamps
- Standard to 5 degrees
- Levelled for inclined areas
- Steps available
- Flat Roofing
- Weighted assembly requiring no fixing
- Barrelled Roofing
- From a section drawing we can manufacture a bespoke solution



**A PRODUCT TO
DEPEND ON**



ProNet offers a total Safety Solution.

Contact us about our range of services to keep your team safe.

HEAD OFFICE

68 Browndod Road,
Larne, Co. Antrim,
N.Ireland, BT40 3DX

CONTACT:

TEL: +44 (0)28 2826 7823
info@pronetsafety.com
www.pronetsafety.com



WE'RE EXPERTS IN FALL ARREST SAFETY

